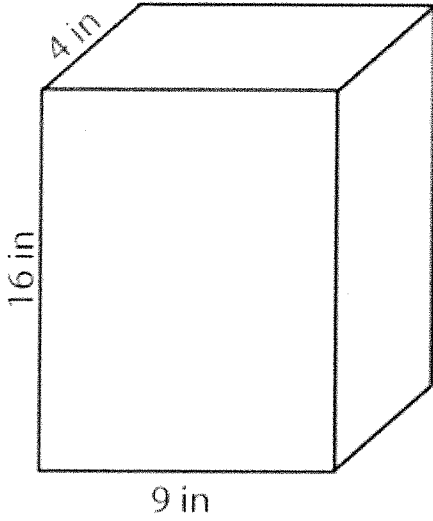


Name: \_\_\_\_\_ Date: \_\_\_\_\_

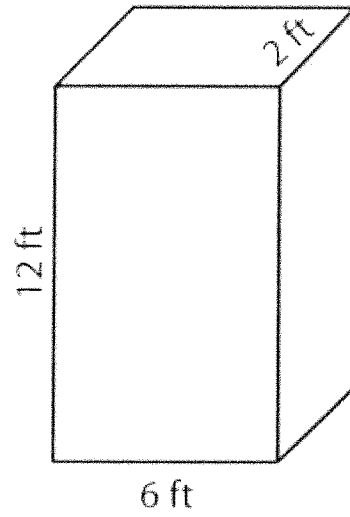
### Pre-Algebra Chapter 13 Worksheet: Surface Area of 3-D Shapes

Find the surface area for each figure below. You MUST show your formula. Remember units!!

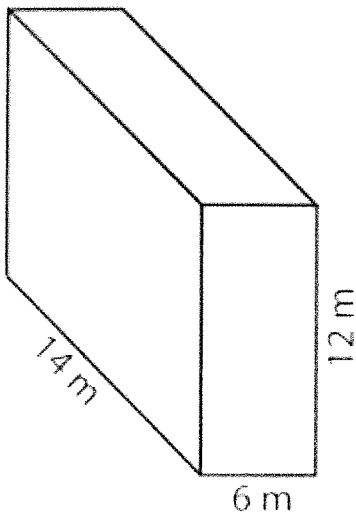
1.



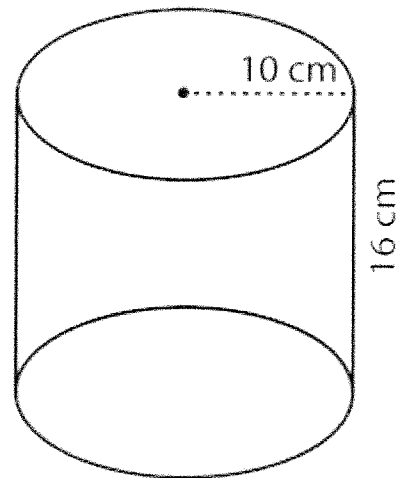
3.



2.

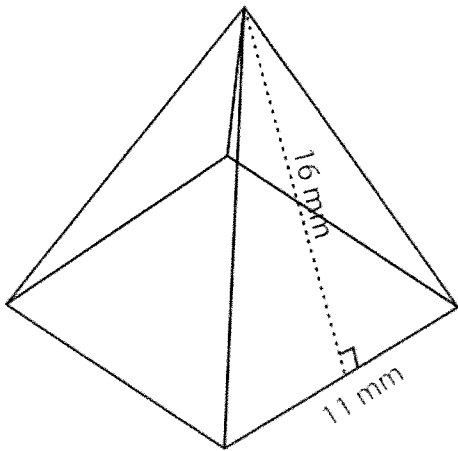


4.

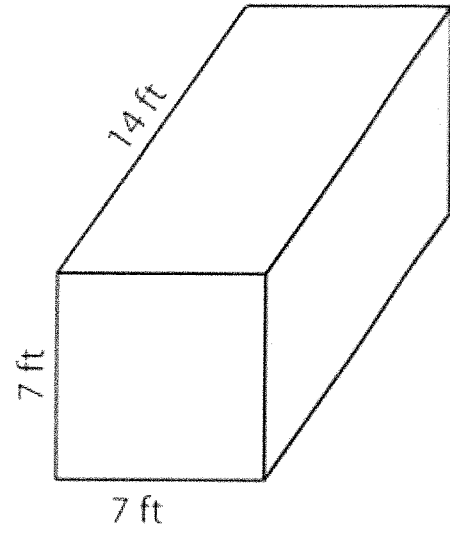


Pre-Algebra Surface Area of 3-D Shapes Worksheet

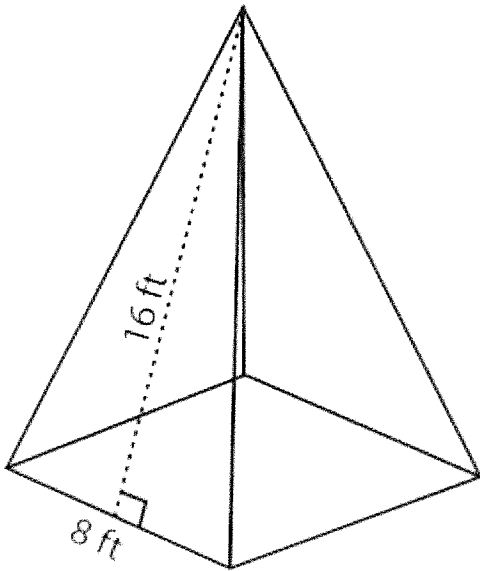
5.



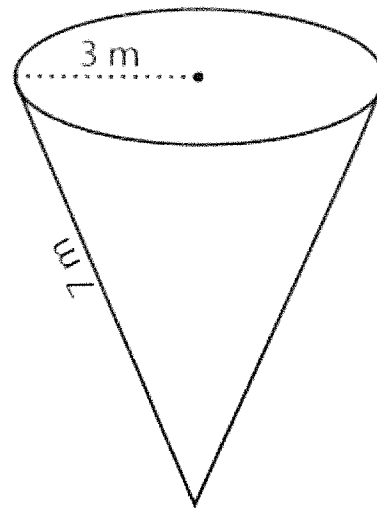
7.



6.

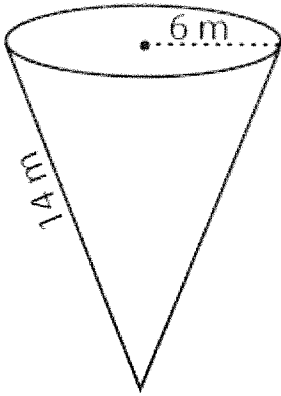


8.

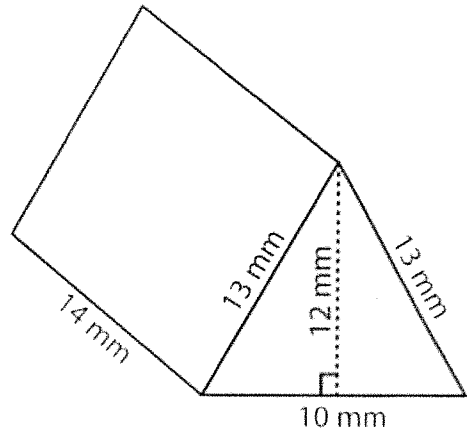


Pre-Algebra Surface Area of 3-D Shapes Worksheet

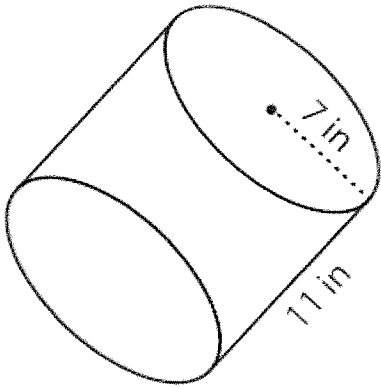
9.



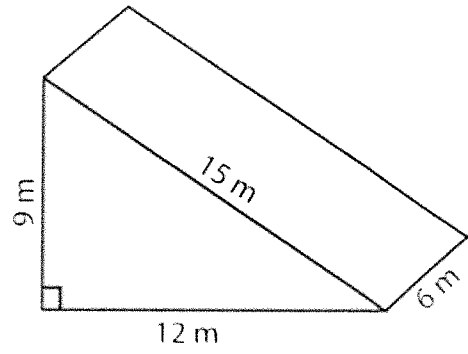
11.



10.

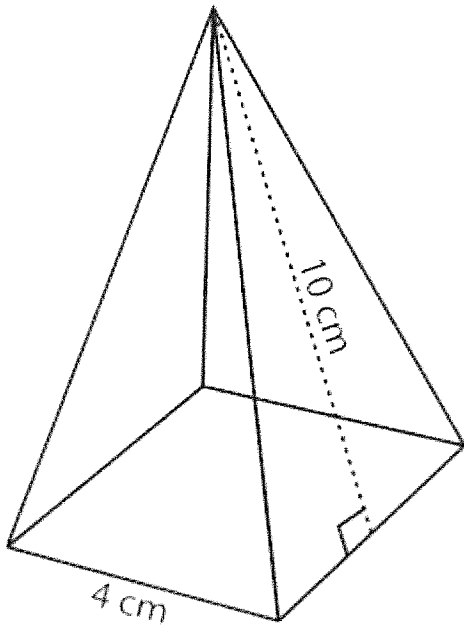


12.



*Pre-Algebra Surface Area of 3-D Shapes Worksheet*

13.



14.

