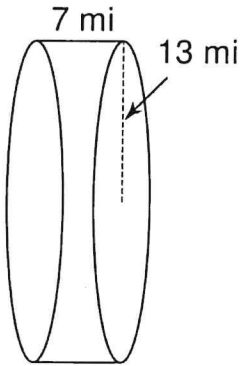


Name: _____ Date: _____

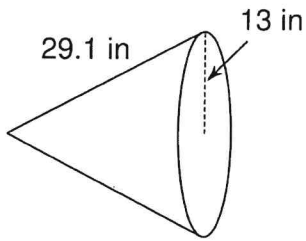
Pre-Algebra: Chapter 13 Surface Area and Volume Test Review Worksheet

Find the surface area of each figure. Be sure to include your formula and don't forget your units.

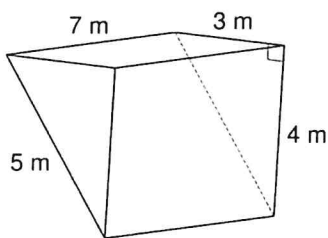
1.



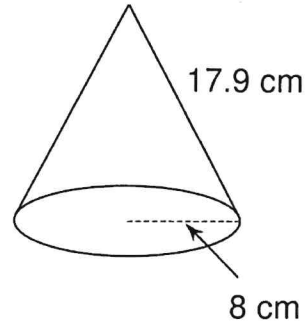
2.



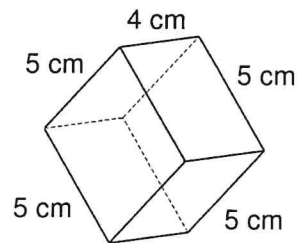
3.



4.



5.



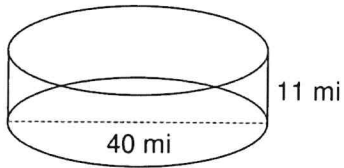
6. A square prism measuring 8 km along each edge of the base and 9 km tall

7. A square pyramid measuring 9 yd along the base with a slant height of 12.8 yd

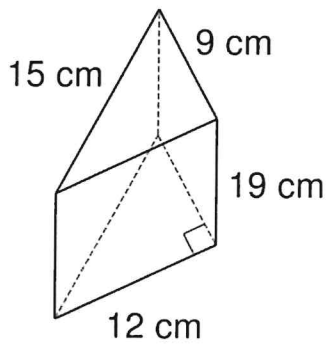
Pre-Algebra: Chapter 13 Surface Area and Volume Test Review Worksheet

Find the volume of each figure. Be sure to include your formula and don't forget your units. ROUND TO THE NEAREST TENTH!!

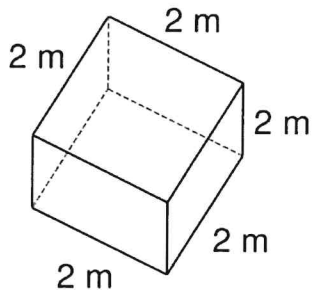
8.



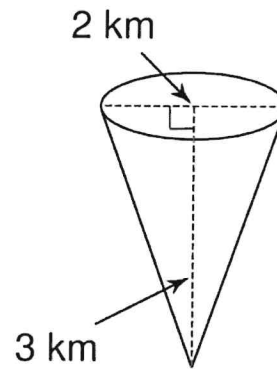
9.



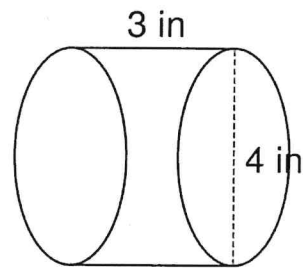
10.



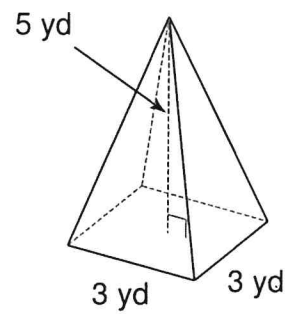
11.



12.



13.



14. A cone with diameter 14 yd and a height of 14 yd