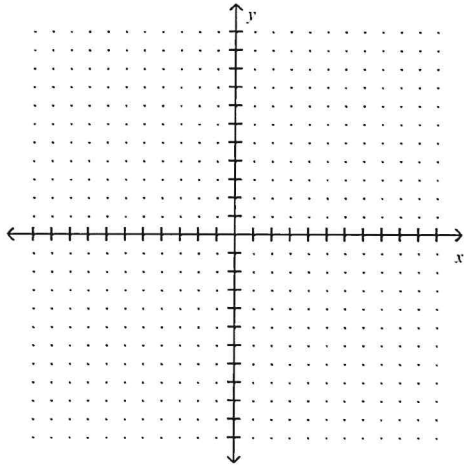


Name: _____ Class: _____ Date: _____

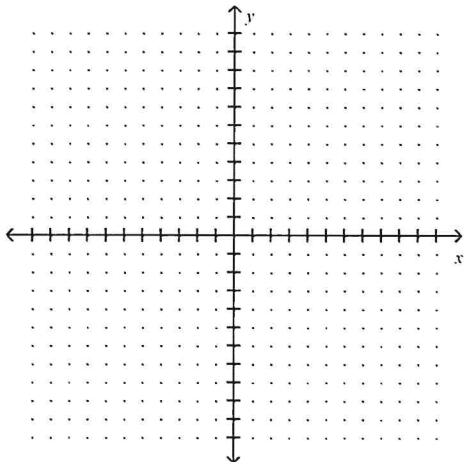
7th Grade Pre-Algebra Page 313 #12-22 EVEN

Use a graph to solve each system of equations.
Write your answer as an ordered pair.

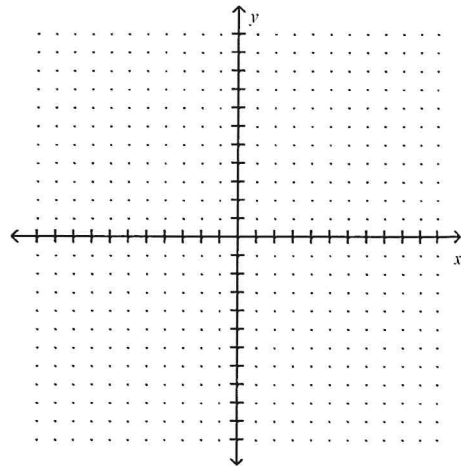
1. $y = 3x + 5$
 $y = x + 5$



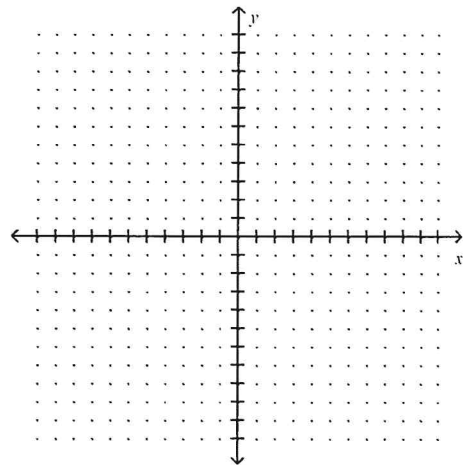
2. $y = 4x$
 $y = -x$



3. $y = -x + 6$
 $y = 2x$

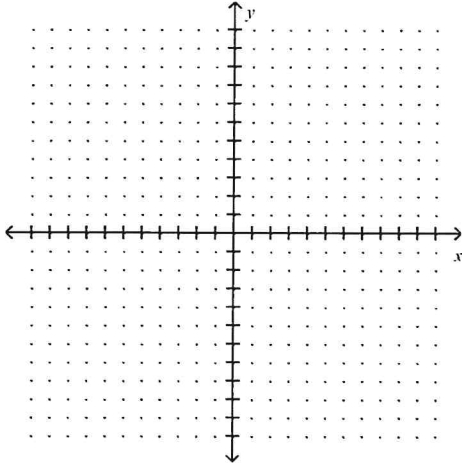


4. $y = x - 7$
 $y = -2x + 2$



5. $y = -2x + 8$

$y = x - 4$



6. $y = -3x + 6$

$y = -4x + 7$

