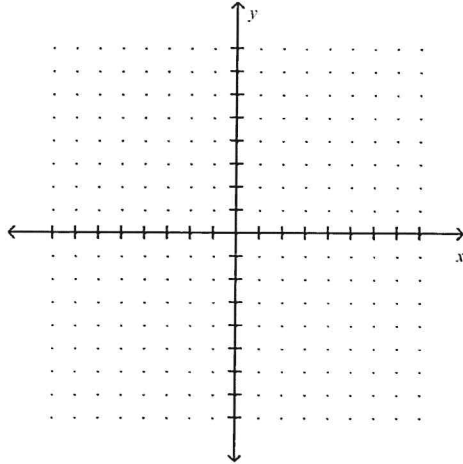


Name: _____ Class: _____ Date: _____

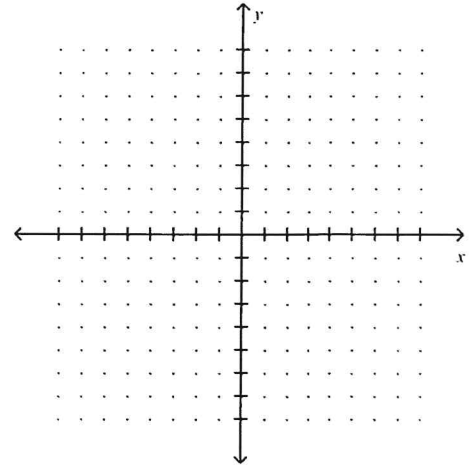
8th Grade Pre-Algebra Section 9.2 Worksheet

Identify the x-intercept and y-intercept of each equation. Graph each function.

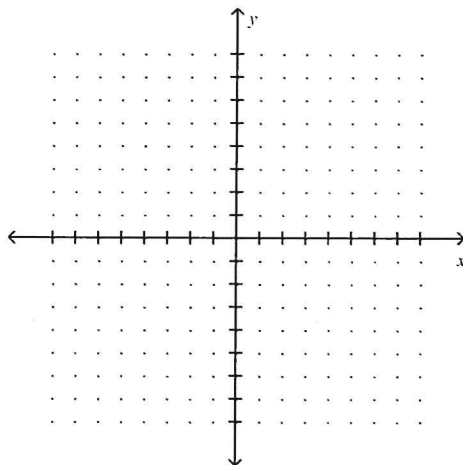
1. $y = 5x$



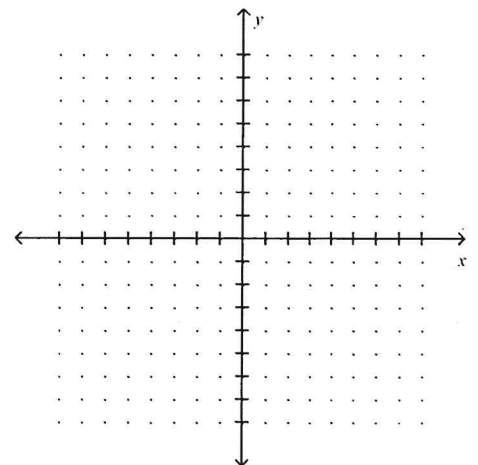
3. $y = x + 4$



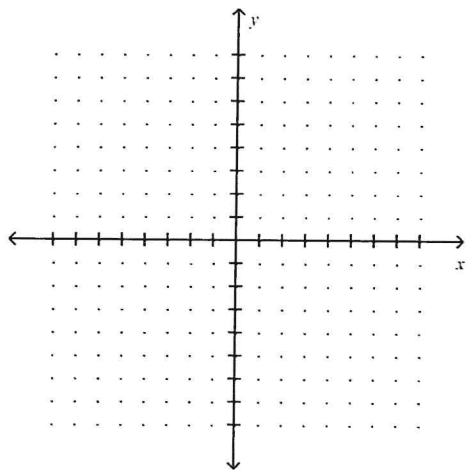
2. $y = -3x$



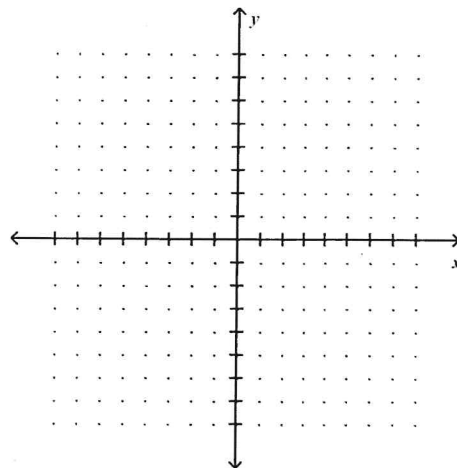
4. $y = -x + 5$



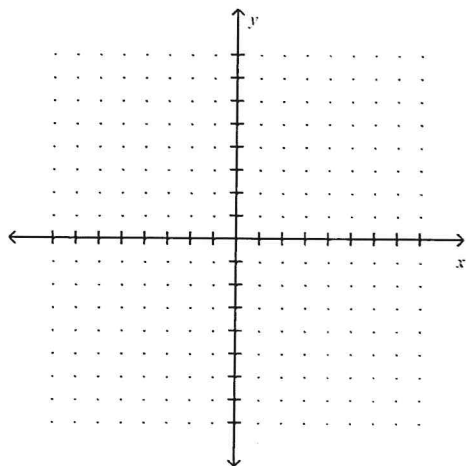
5. $y = 2x + 2$



7. $x + y = -6$



6. $y = 4x - 1$



8. $x - y = 1$

