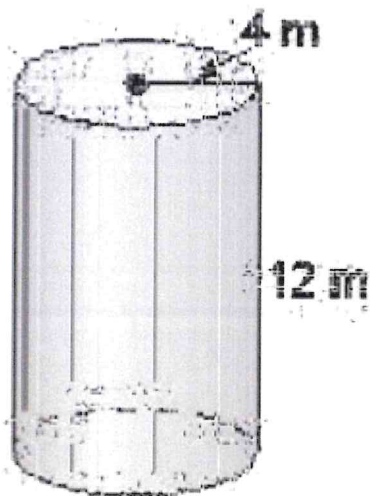


Name: _____ Date: _____

7th Grade Pre-Algebra FINAL EXAM REVIEW

- _____ 1. Simplify the expression: $4(7x - 5) - 7x$
- a. $35x + 20$
 - b. $21x + 20$
 - c. $21x - 20$
 - d. $35x - 20$
- _____ 2. What is $(5x - 4) - (x + 6)$?
- a. $6x + 2$
 - b. $6x - 10$
 - c. $4x + 2$
 - d. $4x - 10$
- _____ 3. Simplify: $3 \cdot 7 - 3$
- a. 18
 - b. 63
 - c. 24
 - d. 12
- _____ 4. Simplify the expression: $-5(x + 1) + 8x$
- a. $13x + 5$
 - b. $3x + 5$
 - c. $-13x - 5$
 - d. $3x - 5$
- _____ 5. Find the value of the expression: $r + 2s - 9$ if $r = 8$ and $s = 5$
- a. 1
 - b. 9
 - c. 17
 - d. 24
- _____ 6. Find the SURFACE AREA of the cylinder. (Use 3.14 for pi).



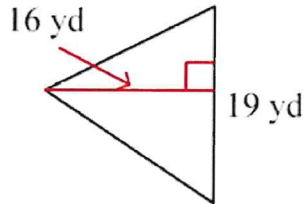
- a. $401.92 m^2$
- b. $301.44 m^2$
- c. $100.48 m^2$
- d. $602.88 m^2$

7th Grade Pre-Algebra FINAL EXAM REVIEW

- ___ 7. What is the slope of $y = 6x + 1$?
- | | |
|-------|------|
| a. -6 | c. 1 |
| b. 6 | d. x |
- ___ 8. Simplify the expression: $9b + 4a + 5c + 2b - 9a$
- | | |
|---------------------|---------------------|
| a. $13a + 11b + 5c$ | c. $-5a + 11b + 5c$ |
| b. $-5a + 11b$ | d. $11a - 5b + 5c$ |
- ___ 9. Solve the equation: $4x + 8 = 3x - 1$
- | | |
|-------|-------|
| a. -7 | c. -9 |
| b. 7 | d. -1 |
- ___ 10. A paper cup is a perfect cylinder that is 8.4 cm tall and 4 cm across. Find the surface area of paper needed to make the cup. Use $\pi = 3.14$ and give your answer to the nearest whole square unit.
- | | |
|-----------------------|-----------------------|
| a. 118 cm^2 | c. 65 cm^2 |
| b. 131 cm^2 | d. 105 cm^2 |
- ___ 11. Perform the indicated operation: $-4 - 23$
- | | |
|--------|-------|
| a. -19 | c. 19 |
| b. -27 | d. 27 |
- ___ 12. Shelley is applying the order of operations to the following expression:
- $$3 - 16 \div 2 \times 5 \times 3$$
- Which part of the expression should Shelley simplify first?
- | | |
|----------------|-----------------|
| a. $3 - 16$ | c. 2×5 |
| b. $16 \div 2$ | d. 5×3 |
- ___ 13. Perform the indicated operation: $(-3)(-6)(5)$
- | | |
|--------|--------|
| a. -90 | c. 190 |
| b. 80 | d. 90 |
- ___ 14. Which number is NOT divisible by 6?
- | | |
|--------|--------|
| a. 576 | c. 114 |
| b. 278 | d. 282 |

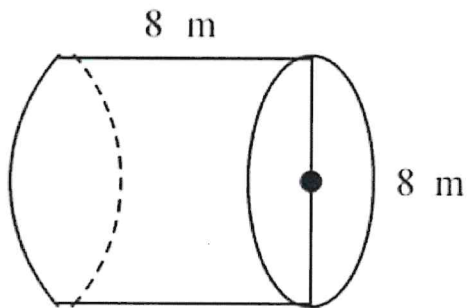
7th Grade Pre-Algebra FINAL EXAM REVIEW

___ 15. Find the AREA of the figure.



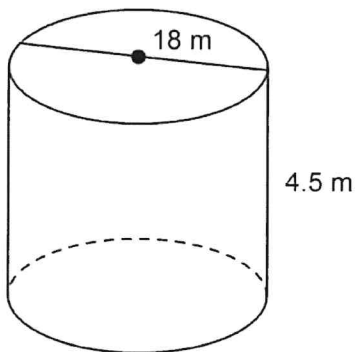
- a. 304 yd^2
- b. 35 yd^2
- c. 152 yd^2
- d. 70 yd^2

___ 16. Find the VOLUME of the composite solid. Round your answer to the nearest tenth.



- a. 401.9 m^3
- b. $1,607.7 \text{ m}^3$
- c. 803.8 m^3
- d. 201 m^3

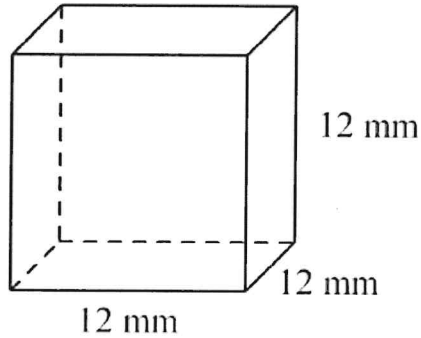
___ 17. Find the SURFACE AREA of this cylinder. Round your answer to the nearest hundredth.



- a. 508.94 m^2
- b. 763.41 m^2
- c. 254.47 m^2
- d. 572.56 m^2

7th Grade Pre-Algebra FINAL EXAM REVIEW

___ 18. Find the SURFACE AREA of the figure.



- a. 864 mm^2
- b. 959 mm^2
- c. 1728 mm^2
- d. 432 mm^2

___ 19. Divide: $\frac{6}{10} \div \frac{5}{11}$

- a. $\frac{3}{110}$
- b. $\frac{110}{3}$
- c. $\frac{33}{25}$
- d. $\frac{11}{21}$

___ 20. What is the value of x if $5x - 13 = 15 + 7x$?

- a. -14
- b. -1
- c. 1
- d. 14

___ 21. Perform the indicated operation: $-128 \div -8$

- a. -16
- b. $-\frac{1}{16}$
- c. -26
- d. 16

___ 22. Solve the equation: $2(y + 8) = 4y + 16$

- a. 32
- b. 0
- c. -16
- d. 16

___ 23. Evaluate: 7^3

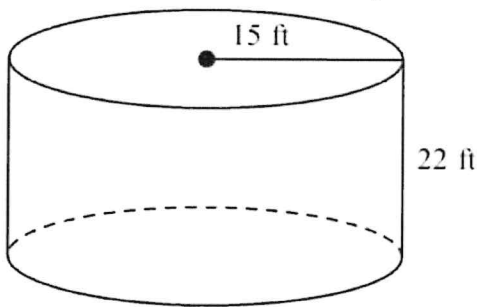
- a. 2,187
- b. 216
- c. 343
- d. 21

___ 24. Simplify: $9a - 3a + 6$

- a. $6a + 6$
- b. $12a + 6$
- c. $12a$
- d. $-6a + 6$

7th Grade Pre-Algebra FINAL EXAM REVIEW

- ___ 25. Use the distributive property to remove parentheses: $6(7n + 4)$
a. $66n$ c. $42n + 24$
b. $42n + 4$ d. $13n + 10$
- ___ 26. Divide: $50 \div \frac{5}{11}$
a. $\frac{11}{250}$ c. 110
b. $\frac{1}{110}$ d. $\frac{250}{11}$
- ___ 27. Find the slope of the line that passes through the points A(-6, 2) and B(5, -1).
a. -1 c. $-\frac{11}{3}$
b. $\frac{3}{11}$ d. $-\frac{3}{11}$
- ___ 28. Simplify the expression: $3x - 7x + x$
a. $-5x$ c. $-4x$
b. $-4x + x$ d. $-3x$
- ___ 29. Which equation below shows the correct use of the distributive property?
a. $2(3 + 5) = (2 + 3) \cdot (2 + 5)$ c. $2(3 + 5) = 2(5 + 3)$
b. $2(3 + 5) = (2 \cdot 3) + 5$ d. $2(3 + 5) = (2 \cdot 3) + (2 \cdot 5)$
- ___ 30. What is the value of x if $24 - 2(x + 8) = 30$?
a. -11 c. 1
b. -1 d. 11
- ___ 31. Find the VOLUME of the composite solid. Round your answer to the nearest tenth.



- a. $62,172 \text{ ft}^3$ c. $22,796.4 \text{ ft}^3$
b. $2,072.4 \text{ ft}^3$ d. $15,543 \text{ ft}^3$

7th Grade Pre-Algebra FINAL EXAM REVIEW

___ 32. Multiply: $\frac{9}{6} \cdot \frac{14}{11}$

a. 1

b. $\frac{23}{17}$

c. $\frac{21}{11}$

d. $\frac{33}{28}$

___ 33. Perform the indicated operation: $-20(4)$

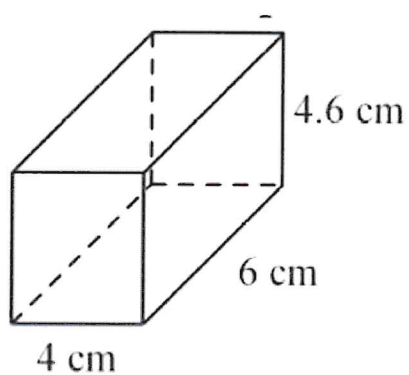
a. 60

b. -60

c. -80

d. -84

___ 34. Find the VOLUME of the prism.



a. 102.1 cm^3

b. 46 cm^3

c. 110.4 cm^3

d. 140 cm^3

___ 35. Solve the inequality: $-6x - 3 > -21$

a. $x > 4$

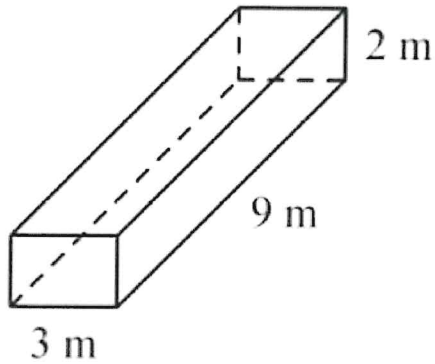
b. $x < 4$

c. $x > 3$

d. $x < 3$

7th Grade Pre-Algebra FINAL EXAM REVIEW

___ 36. Find the SURFACE AREA of the figure.



- a. $51 m^2$
- b. $105 m^2$
- c. $54 m^2$
- d. $102 m^2$

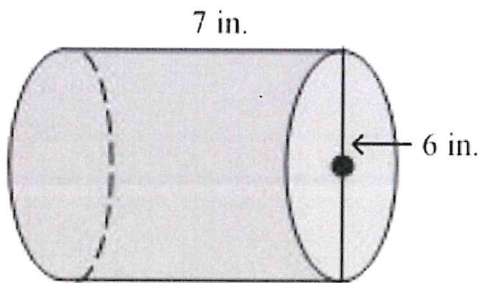
___ 37. Simplify: $-5y - 3y$

- a. $8y$
- b. $-8y$
- c. $-8y^2$
- d. $-2y$

___ 38. Evaluate: 12^3

- a. 531,441
- b. 1,728
- c. 36
- d. 1,331

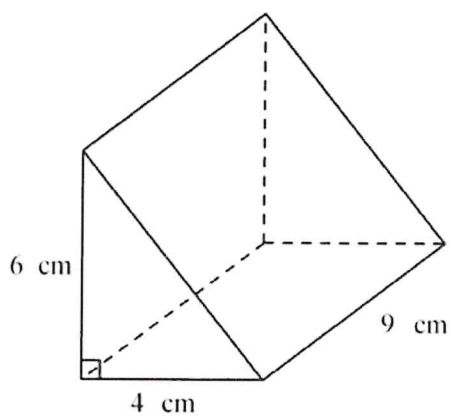
___ 39. Find the SURFACE AREA of the cylinder. Round to the nearest tenth if necessary. (Use 3.14 for pi)



- a. $301.4 in^2$
- b. $320.3 in^2$
- c. $188.4 in^2$
- d. $358 in^2$

7th Grade Pre-Algebra FINAL EXAM REVIEW

___ 40. Find the VOLUME of the prism.

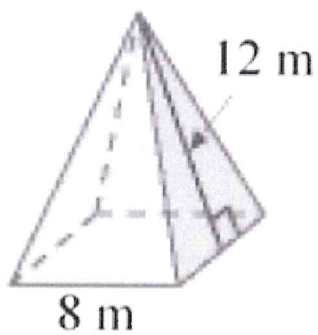


- a. 19 cm^3
- b. 108 cm^3
- c. 216 cm^3
- d. 83 cm^3

___ 41. Find the value of the expression: $12 \cdot 4 + 3$

- a. 51
- b. 144
- c. 84
- d. 12

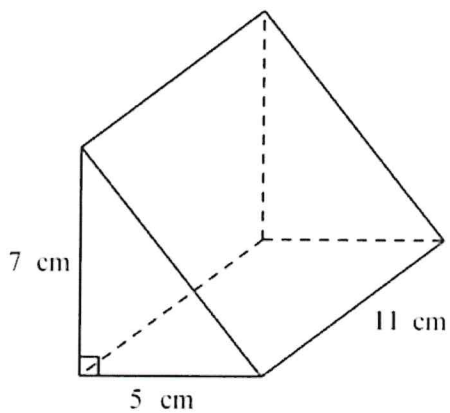
___ 42. Find the SURFACE AREA of the square pyramid.



- a. 448 m^2
- b. 384 m^2
- c. 256 m^2
- d. 192 m^2

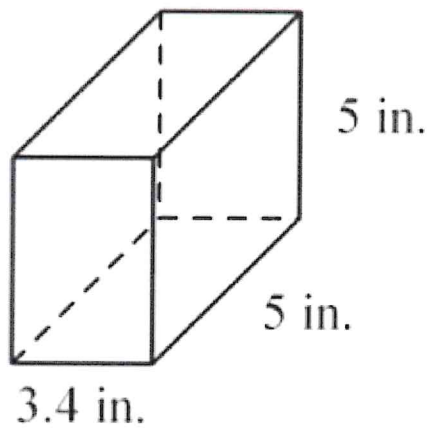
7th Grade Pre-Algebra FINAL EXAM REVIEW

___ 43. Find the VOLUME of the prism.



- a. 385 cm^3
- b. 101 cm^3
- c. 23 cm^3
- d. 192.5 cm^3

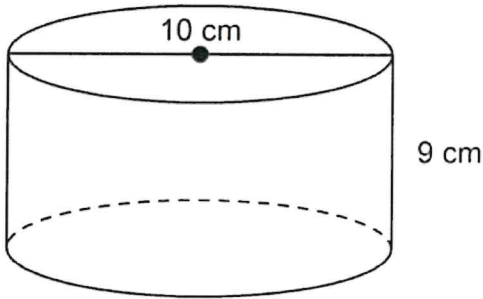
___ 44. Find the VOLUME of the prism.



- a. 88.6 in^3
- b. 42 in^3
- c. 118 in^3
- d. 85 in^3

7th Grade Pre-Algebra FINAL EXAM REVIEW

___ 45. Find the SURFACE AREA of this cylinder. Leave Π (π) in your answer.



- a. $380\Pi \text{ cm}^2$
- b. $290\Pi \text{ cm}^2$
- c. $140\Pi \text{ cm}^2$
- d. $230\Pi \text{ cm}^2$

___ 46. Multiply: $\frac{7}{5} \cdot \frac{21}{20}$

- a. $\frac{4}{3}$
- b. $\frac{27}{26}$
- c. $\frac{147}{100}$
- d. $\frac{28}{25}$

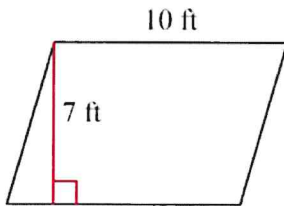
___ 47. Solve the equation: $-3(x + 2) - 18 = -8 - 4$

- a. 4
- b. -4
- c. 2
- d. -2

___ 48. Simplify: $-6x + 9 - 2x + 3$

- a. $4x + 6$
- b. $4x$
- c. $8x + 12$
- d. $-8x + 12$

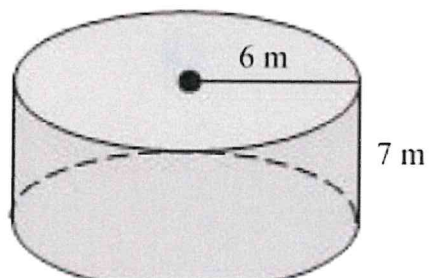
___ 49. Find the AREA of the figure.



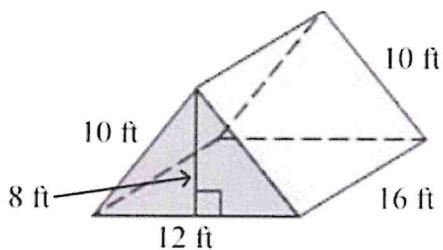
- a. 73 ft^2
- b. 34 ft^2
- c. 35 ft^2
- d. 70 ft^2

7th Grade Pre-Algebra FINAL EXAM REVIEW

- ___ 50. Find the SURFACE AREA of the cylinder. Round to the nearest tenth if necessary. (Use 3.14 for pi)



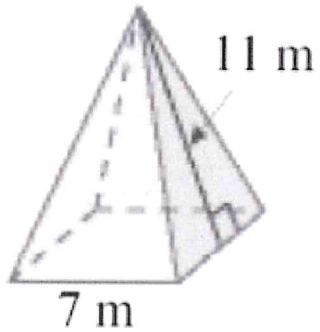
- a. $489.8 m^2$ c. $501.8 m^2$
b. $263.8 m^2$ d. $376.8 m^2$
- ___ 51. Solve the inequality: $y - 5 \geq -8$
a. $y \geq 13$ c. $y \geq 3$
b. $y \geq -3$ d. $y \geq -13$
- ___ 52. Find the SURFACE AREA of the triangular prism.



- a. $608 ft^2$ c. $560 ft^2$
b. $704 ft^2$ d. $590 ft^2$
- ___ 53. Solve the equation: $-3x - 1 = -22$
a. 7 c. 8
b. -18 d. -14

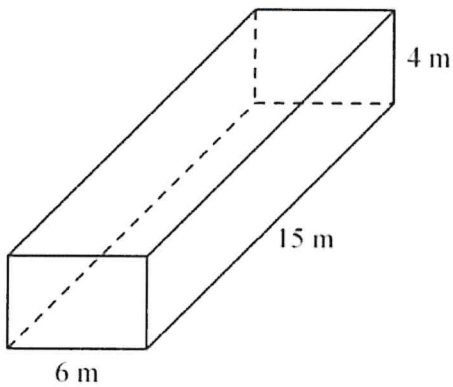
7th Grade Pre-Algebra FINAL EXAM REVIEW

___ 54. Find the SURFACE AREA of the square pyramid.



- a. $154 m^2$
- b. $308 m^2$
- c. $203 m^2$
- d. $357 m^2$

___ 55. Find the SURFACE AREA of the figure.



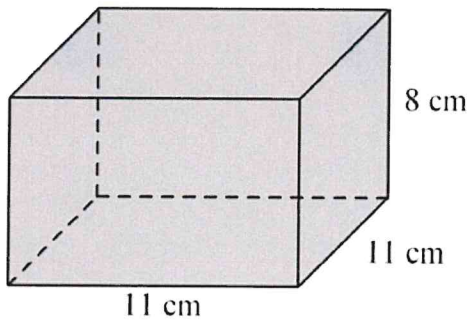
- a. $348 m^2$
- b. $347 m^2$
- c. $174 m^2$
- d. $360 m^2$

___ 56. Simplify: $9^2 - 5 \cdot 7$

- a. 532
- b. 252
- c. 112
- d. 46

7th Grade Pre-Algebra FINAL EXAM REVIEW

___ 57. Find the VOLUME of the prism.

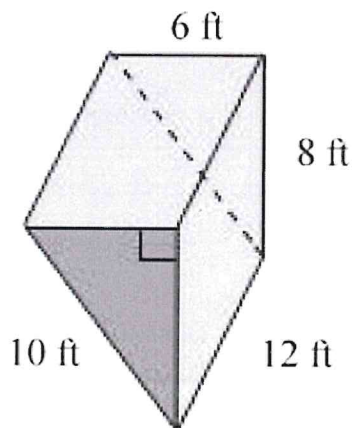


- a. 121 cm^3
- b. 88 cm^3
- c. 968 cm^3
- d. 961 cm^3

___ 58. Perform the indicated operation: $22 - 2 - 13$

- a. 7
- b. 37
- c. 11
- d. 33

___ 59. Find the SURFACE AREA of the triangular prism.



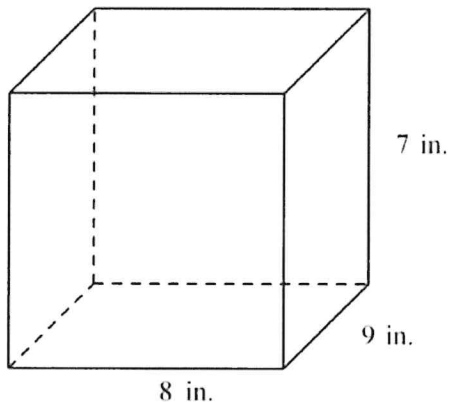
- a. 336 ft^2
- b. 348 ft^2
- c. 384 ft^2
- d. 624 ft^2

___ 60. Simplify the expression: $5(x + 8) + 11$

- a. $5x + 51$
- b. $5x + 29$
- c. $x + 51$
- d. $5x + 19$

7th Grade Pre-Algebra FINAL EXAM REVIEW

- ___ 61. Perform the indicated operation: $2 - 13$
a. -11
b. -15
c. 15
d. 11
- ___ 62. Simplify: $1.4x - 0.3x + 1.5x$
a. $2.6x$
b. $1.1x$
c. $-3x$
d. $4x$
- ___ 63. Perform the indicated operation: $\frac{33}{-3}$
a. $-\frac{1}{11}$
b. -21
c. 11
d. -11
- ___ 64. Perform the indicated operation: $-3 - 6$
a. 9
b. -3
c. 3
d. -9
- ___ 65. Find the value of the expression: $7(2 + 6) - 18 \div 3$
a. 1
b. 16
c. 50
d. 56
- ___ 66. Simplify the expression: $7x + 2(5 - x) + 28$
a. $6x + 38$
b. $5x + 18$
c. $9x + 18$
d. $5x + 38$
- ___ 67. Solve the equation: $-63 - 15x = -8x$
a. 441
b. 9
c. -9
d. -441
- ___ 68. Find the VOLUME of the prism.



- a. 252 in^3
b. 24 in^3
c. 96 in^3
d. 504 in^3

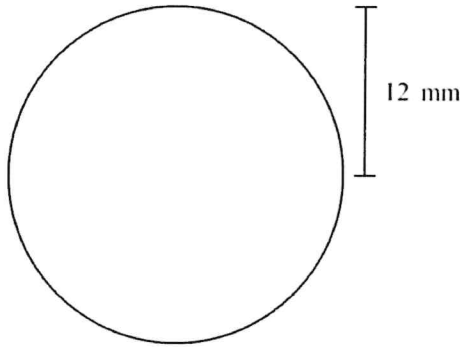
7th Grade Pre-Algebra FINAL EXAM REVIEW

___ 69. Perform the indicated operation: $12 - (-12)$

- a. 12
- b. 0

- c. 24
- d. -24

___ 70. Find the AREA of the figure. (Radius is 12 mm) Use 3.14 for pi.



- a. 113.04 mm^2
- b. 453.16 mm^2

- c. 75.36 mm^2
- d. 452.16 mm^2

___ 71. Write using exponential notation: $2 \cdot 2 \cdot 5 \cdot 5 \cdot 5 \cdot 5 \cdot 4$

- a. $2^2 \cdot 5^4 \cdot 4$
- b. $2^2 \cdot 3^5 \cdot 1^4$

- c. $2 \cdot 5 \cdot 4^7$
- d. $(2 \cdot 5 \cdot 4)^7$