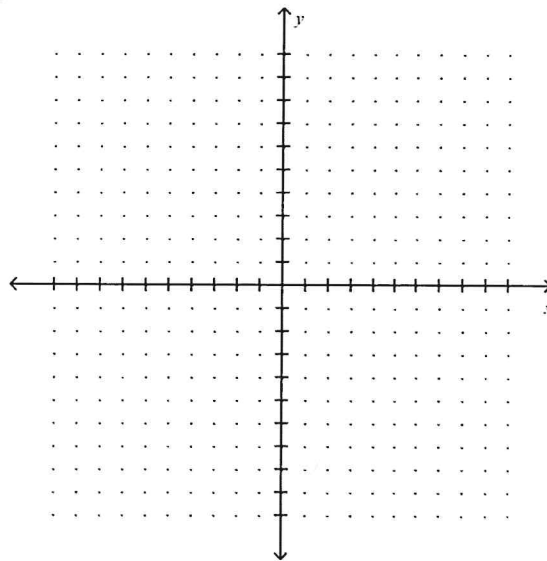


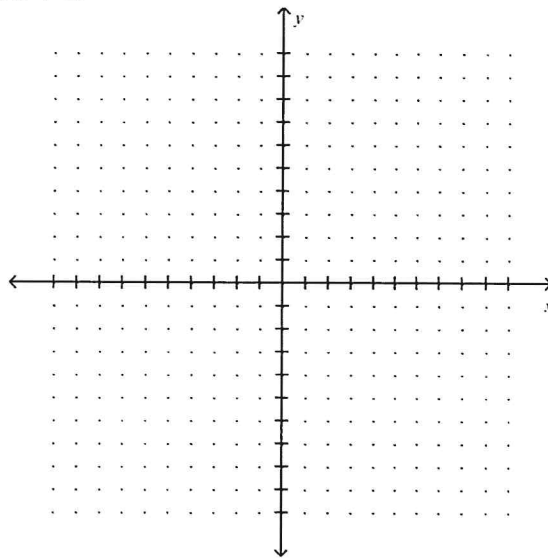
Name: _____ Class: _____ Date: _____

Algebra 2 CP: Sections 7.5 & 7.6 Review Worksheet

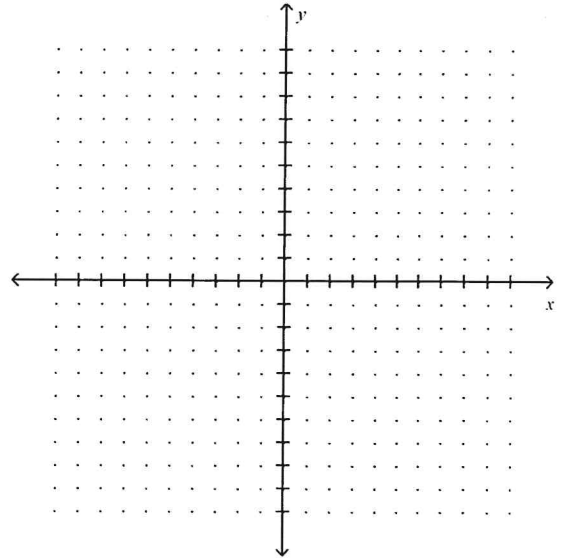
1. Make a table of values to graph the function $y = -2\sqrt{x-3}$.



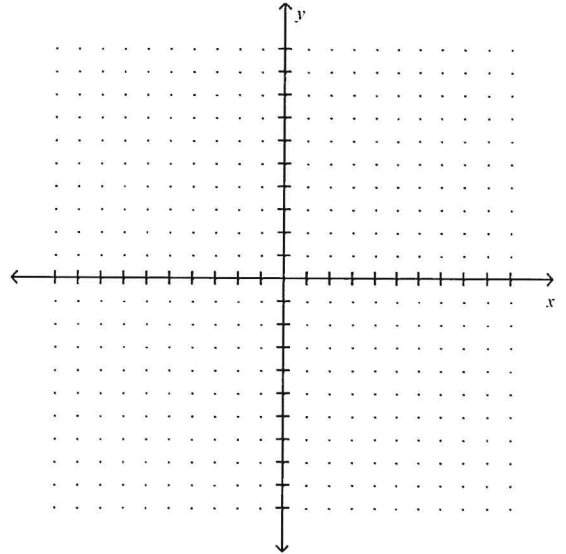
2. Make a table of values to graph the function $y = -2\sqrt{x} + 4$.



3. Make a table of values to graph the function $y = \sqrt[3]{x} + 3$.



4. Make a table of values to graph the function $y = 3\sqrt[3]{x+4} - 2$.



Solve each equation. Check for extraneous solutions.

5. $x^{\frac{5}{2}} - 10 = 22$

6. $3(x+1)^{\frac{1}{5}} + 5 = 11$

7. $\sqrt{4x+15} - 3\sqrt{x} = 0$

8. $\sqrt{4x} = x - 8$