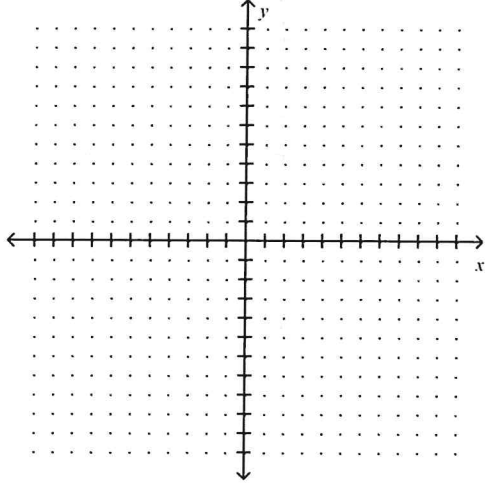
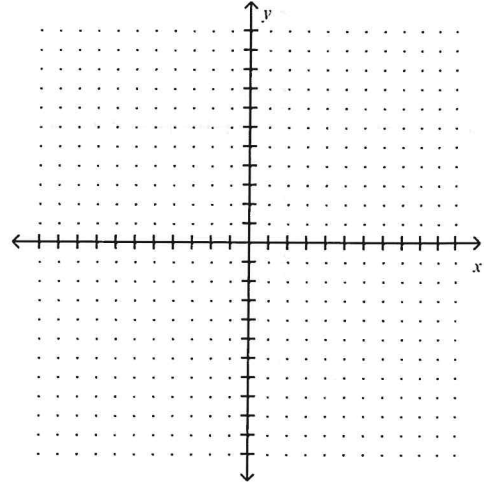


Algebra 2 CP Worksheet: Graphing Absolute Value Functions

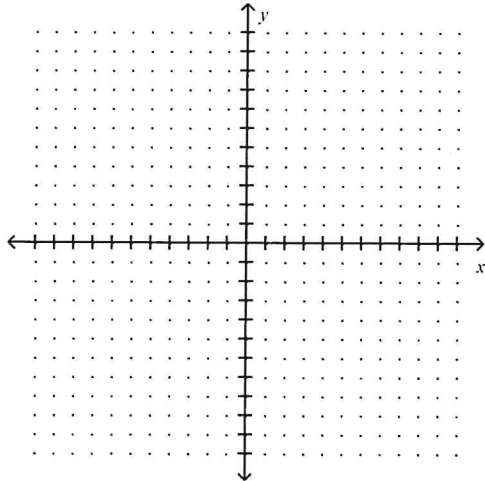
1. Graph $f(x) = |x| - 6$.



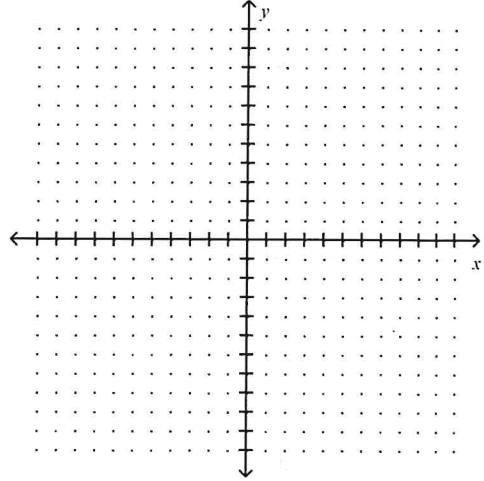
3. Graph $y = \frac{3}{4}|x| - 1$.



2. Graph $h(x) = -3|x| + 8$.

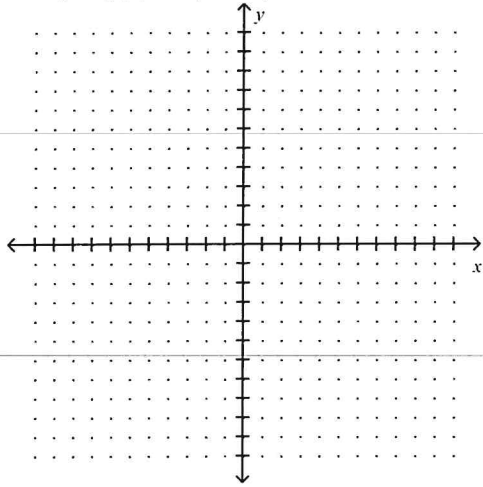


4. Graph $k(x) = -|x + 2| + 5$.

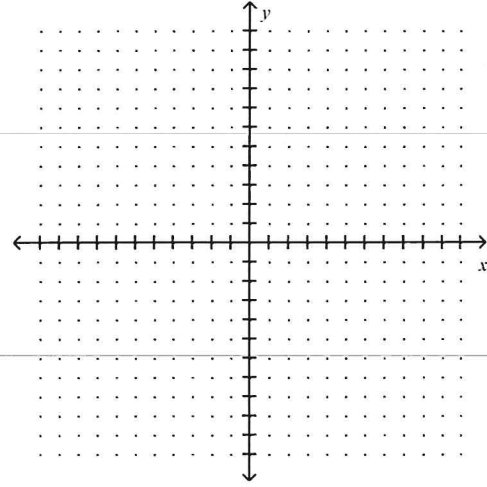


Algebra 2 CP Worksheet: Graphing Absolute Value Functions

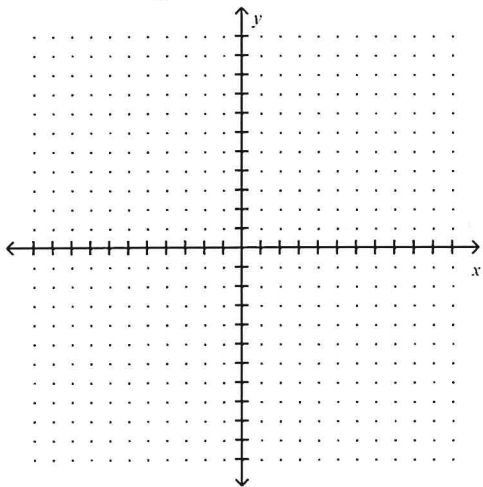
5. Graph $g(x) = 4|x - 6| - 3$.



7. Graph $k(x) = -5|x - 4| + 9$.



6. Graph $y = \frac{3}{2}|x + 1| + 4$.



8. Graph $j(x) = -\frac{5}{2}|x| + 1$.

